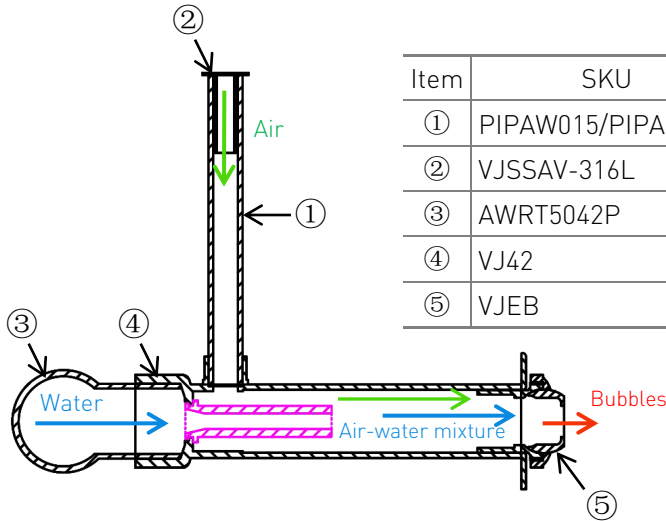
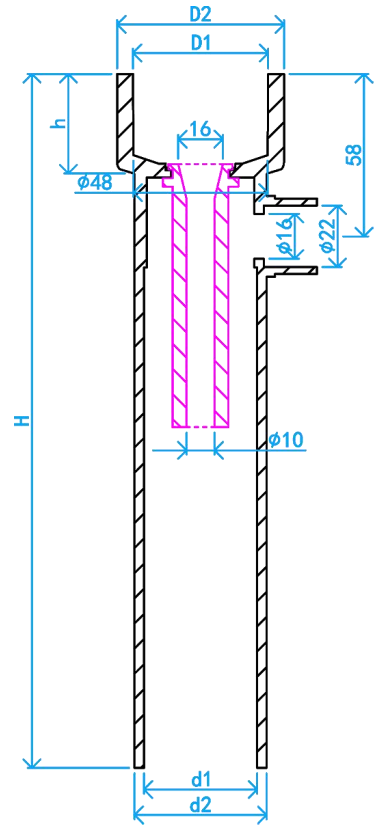


PVC (POLYVINYL CHLORIDE) VENTURI JET

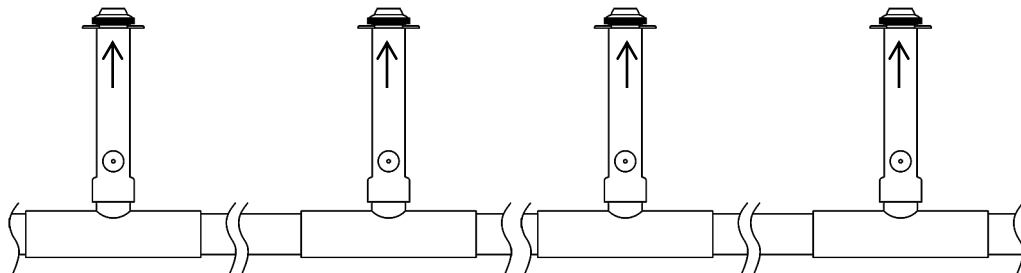
MANUAL	ELECTRIC	FI Thread	MI Thread
FLANGE	RINSED	SWIMMING POOL	PIPE



CROSS SECTION VIEW

Key Functions & Benefits:

Creates bubbles, enhances massage, cost-effective aeration, simple operation



Create bubbles for the therapeutic pool

DIMENSIONS

SKU	MATERIAL	D1 (mm)	D2 (mm)	d1 (mm)	d2 (mm)	H (mm)	h (mm)	WEIGHT (kg)	PCS/CTN
VJ42	PVC	48.4	59.7	40.5	47.2	255.0	35.5	0.240	50